



Inter-Drain *Sales* bv.

the best in earth



Inter-Drain 1622 HT



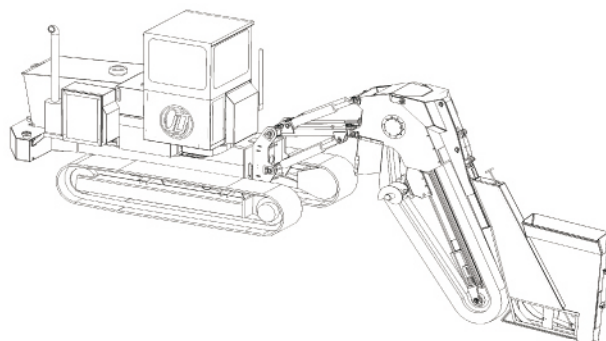
**Trenchers | Kettinggravers
Trancheuses | Grabenfräsen**

[Http://www.inter-drain.com](http://www.inter-drain.com)



Inter-Drain Sales bv.

the best in earth



TRENCHER TYPE	1515HT	1622HT	1824HT
ENGINE			
Make 1)	Cummins	Volvo	Volvo
Engine power Hp. (kw)	160 (119)	265 (195)	325 (239)
Fuel tank capacity	150 Liter	300 Liter	350 Liter
Electrical system	24 Volt DC	24 Volt DC	24 Volt DC
TRACKS			
Propulsion	Independent	Independent	Independent
Transmission	Hydrost.	Hydrost.	Hydrost.
Suspension	Fixed	Oscill.	Oscill.
Type (equiv. cater.)	B1	D2	D4
Length 2)	2,80 m.	3,80 m.	4,50 m.
Width 2)	0,50 m.	0,60 m.	0,60 m.
Ground pressure	0,30 kg/cm ²	0,30 kg/cm ²	0,30 kg/cm ²
DIGGING UNIT			
Max. speed	5,5 m/sec.	6 m/sec	6 m/sec.
Chaindrive	Hydr.	Hydr.	Hydr.
Digging angle	60°	60°	60°
Swivel	6°	6°	6°
Tilt control	Automat.	Automat.	Automat.
Pipe shute	Independent	Independent	Independent
Float control	Press. var.	Press. var.	Press. var.
PERFORMANCE			
Working speed	0-3,0 km/h	0-3,6 km/h	0-3,75 km/h
Travel speed	3,0 km/h	3,75 km/h	5,5 km/h
Digging depth (standard)	1,60 m.	1,80 m.	1,80 m.
Digging width 3)(min.)	0,18 m.	0,18 m.	0,18 m.
Digging width 3)(max.)	0,40 m.	0,50 m.	0,50 m.
SIZES AND WEIGHT			
Length	7,5 m.	10 m.	10 m.
Width	2,00 m.	2,40 m.	2,40 m.
Height (transp. pos.)	2,75 m.	2,80 m.	2,80 m.
Weight (approx)	8,4 t.	12,5 t.	16 t.

OPTIONS*

- 1) Other engine make
- 2) Longer, wider tracks
- 3) Different trench sizes
- Auto grade system
- Different cab. position
- Slope compensation
- Automatic transm.
- Spoil eject. by conv. belt

1 m. = 3,28 feet
1 ton = 2200 lbs