



Inter-Drain *Sales* bv.

the best in earth



Inter-Drain 6050 HT



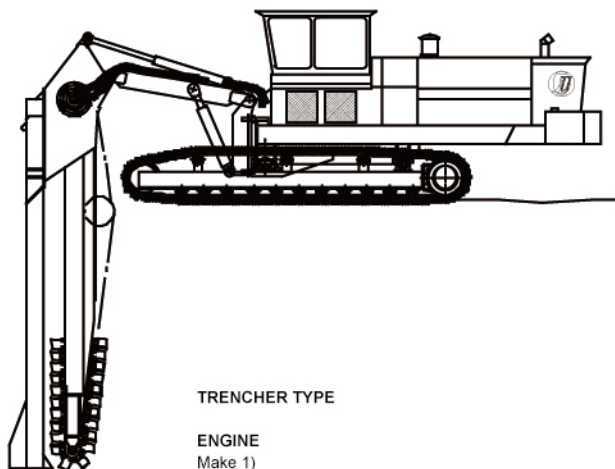
**Trenchers | Kettinggravers
Trancheuses | Grabenfräsen**

[Http://www.inter-drain.com](http://www.inter-drain.com)



Inter-Drain Sales bv.

the best in earth



TRENCHER TYPE	2028HT	3035HT	6050 HT
ENGINE			
Make 1)	Volvo	Volvo	CAT
Engine power Hp. (kw)	422 (310)	540 (397)	630 (463)
Fuel tank capacity	650 Liter	650 Liter	650 Liter
Electrical system	24 Volt DC	24 Volt DC	24 Volt DC
TRACKS			
Propulsion	Independent	Independent	Independent
Transmission	Hydrost.	Hydrost.	Hydrost.
Suspension	Oscill.	Oscill.	Oscill.
Type (equiv. cater.)	D4	D5B	D5B
Length 2)	5,60 m.	5,80 m.	5,80 m.
Width 2)	0,70 m.	0,70 m.	0,70 m.
Ground pressure	0,31 kg/cm ²	0,31 kg/cm ²	0,31 kg/cm ²
DIGGING UNIT			
Max. speed	6 m/sec.	6 m/sec.	6 m/sec.
Chaindrive	Hydr.	Hydr.	Hydr.
Digging angle	90°	90°	90°
Swivel	6°	6°	6°
Tilt control	Automat.	Automat.	Automat.
Pipe shute	Independent	Independent	Independent
Float control	Press. var.	Press. var.	Press. var.
PERFORMANCE			
Working speed	0-3,6 km/h	0-3,6 km/h	0-3,6 km/h
Travel speed	5,5 km/h	5,5 km/h	5,5 km/h
Digging depth (standard)	2,50 m.	3,50 m.	4,50 m.
Digging depth 3) (max.)	4,00 m.	5,00 m.	6,00 m.
Digging width 3) (min.)	0,18 m.	0,18 m.	0,18 m.
Digging width 3) (max.)	0,60 m.	0,60 m.	0,60 m.
SIZES AND WEIGHT			
Length	11,50 m.	11,50 m.	12,50 m.
Width	2,95 m.	2,95 m.	2,95 m.
Height (transp. pos.)	3,10 m.	3,10 m.	3,10 m.
Weight (approx)	25 t.	27 t.	29 t.
OPTIONS*			
1) Other engine make			
2) Longer, wider tracks			
3) Different trench sizes			
Auto grade sytem			
Different cab. position			
Slope compensation			
Automatic transm.			
Spoil eject. by conv. belt			
Side-shift			

1 m. = 3,28 feet
1 ton = 2200 lbs