



# Inter-Drain *Sales* bv.

*the best in earth*

2001

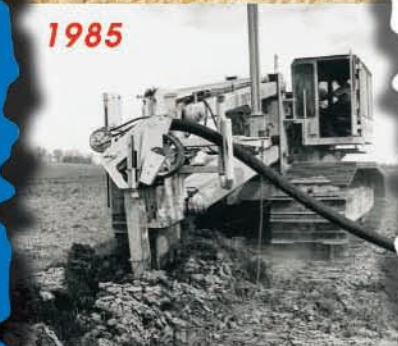


*Inter-Drain 2050 TL*

1996



1985



1971



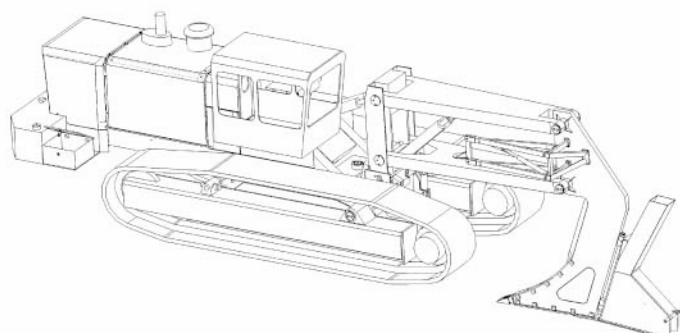
Trenchers | Kettinggravers  
Trancheuses | Grabenfräsen

[Http://www.inter-drain.com](http://www.inter-drain.com)



# Inter-Drain Sales bv.

*the best in earth*



PLOUGH TYPE	2030TL	2040TL	2050TL
<b>ENGINE</b>			
Make 1)	Volvo	Volvo	Volvo
Power Hp. (kw)	350 (257)	422 (310)	540 (397)
Fuel tank capacity	850 L.	1000 L.	1000 L.
Electrical system	24 Volt	24 Volt	24 Volt
<b>TRACKS</b>			
Propulsion	Independent	Independent	Independent
Transmission	Hydrost.	Hydrost.	Hydrost.
Suspension	Oscill.	Oscill.	Oscill.
Type (equiv. cater)	D5B	D5B/D7	D7G
Length 2)	6 m.	6 m.	6 m.
Width 2)	0,76 m. (2' 4")	0,80 m.	0,80 m.
Ground pressure	0,33 kg/cm <sup>2</sup>	0,37 kg/cm <sup>2</sup>	0,40 kg/cm <sup>2</sup>
<b>PLOUGH</b>			
Depth regulating system	Single parall.	Single parall.	Single parall.
Type	I-V	I-V	I-V
Swivel	6°	6°	6°
Tilt control	Automat.	Automat.	Automat.
Float control	Press. var.	Press. var.	Press. var.
<b>PERFORMANCE</b>			
Working speed	0-3 km/h	0-3,2 km/h	0-3,5 km/h
Travel speed	5 km/h	5,5 km/h	5,5 km/h
Depth (avarage)	1,00-1,50 m.	1,20-1,60 m.	1,20-1,80 m.
Depth (max.)*	1,80 m.	2,00 m.	2,00 m.
Pipe sizes up till*	Ø 0,20 m.	Ø 0,20 m.	Ø 0,20 m.
Theor. drawbar pull (approx.)	30 t.	37 t.	37 t.
<b>SIZES AND WEIGHT</b>			
Length	9,6 m.	10 m.	10 m.
Width	2,95 m.	3,2 m.	3,2 m.
Height (transp. Pos.)	3,1 m.	3,25 m.	3,25 m.
Weight (approx)	28 t.	32 t.	34 t.
<b>OPTIONS</b>			
1) Other engine make			
2) Longer, wider tracks			
Auto grade system			
Multi. plough			
V-shape plough			
		1 m. = 3,28 feet	
		1 ton = 2200 lbs	